

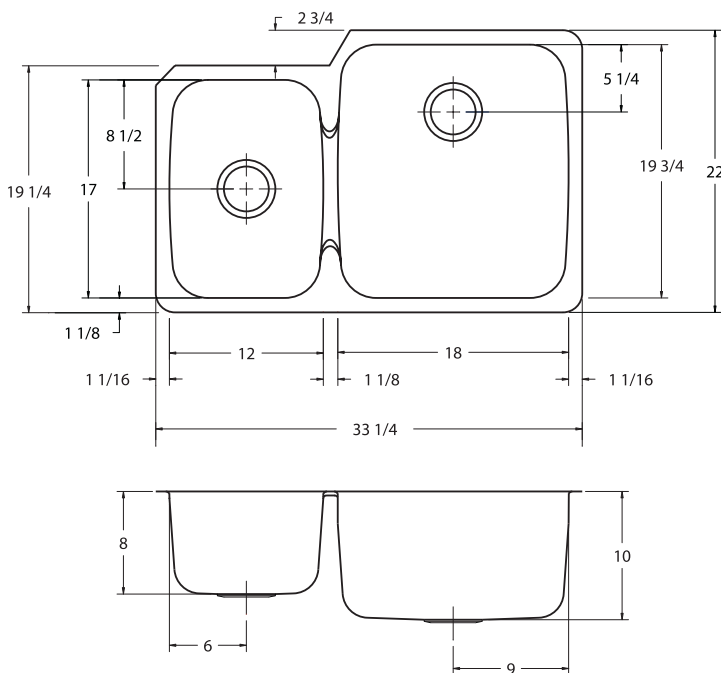
- **18-10 Stainless Steel**
- **Fully Undercoated**
- **Masonite Template Supplied**
- **Two I135 Drain Assemblies Included**
- **Limited Lifetime Buyer Warranty**



Fits 36" Cabinet. Special installation required. Consult with fabricator.

Model #	Faucet Holes	Finish Deck/Bowl	Bowl Size ↕ × ↔	Sink Depth	Overall Dimension	Gauge	Cutout Dimension
UCL2233/10ML/E	NA	Mirror/Lustre	L: 17" x 12" R: 19 3/4" x 18"	L: 8" R: 10"	22" x 33 1/4"	18	Refer To Template*
UCL2233/10RL/E	NA	Radiant Brushed/Lustre					

*DXF files are available for use with CNC equipment. Visit our website.



JOB NAME: _____

DATE: _____

CUSTOMER: _____

MODEL SPECIFIED: _____

QUANTITY: _____

ARCHITECT/ENGINEER: _____

CONTRACTOR: _____